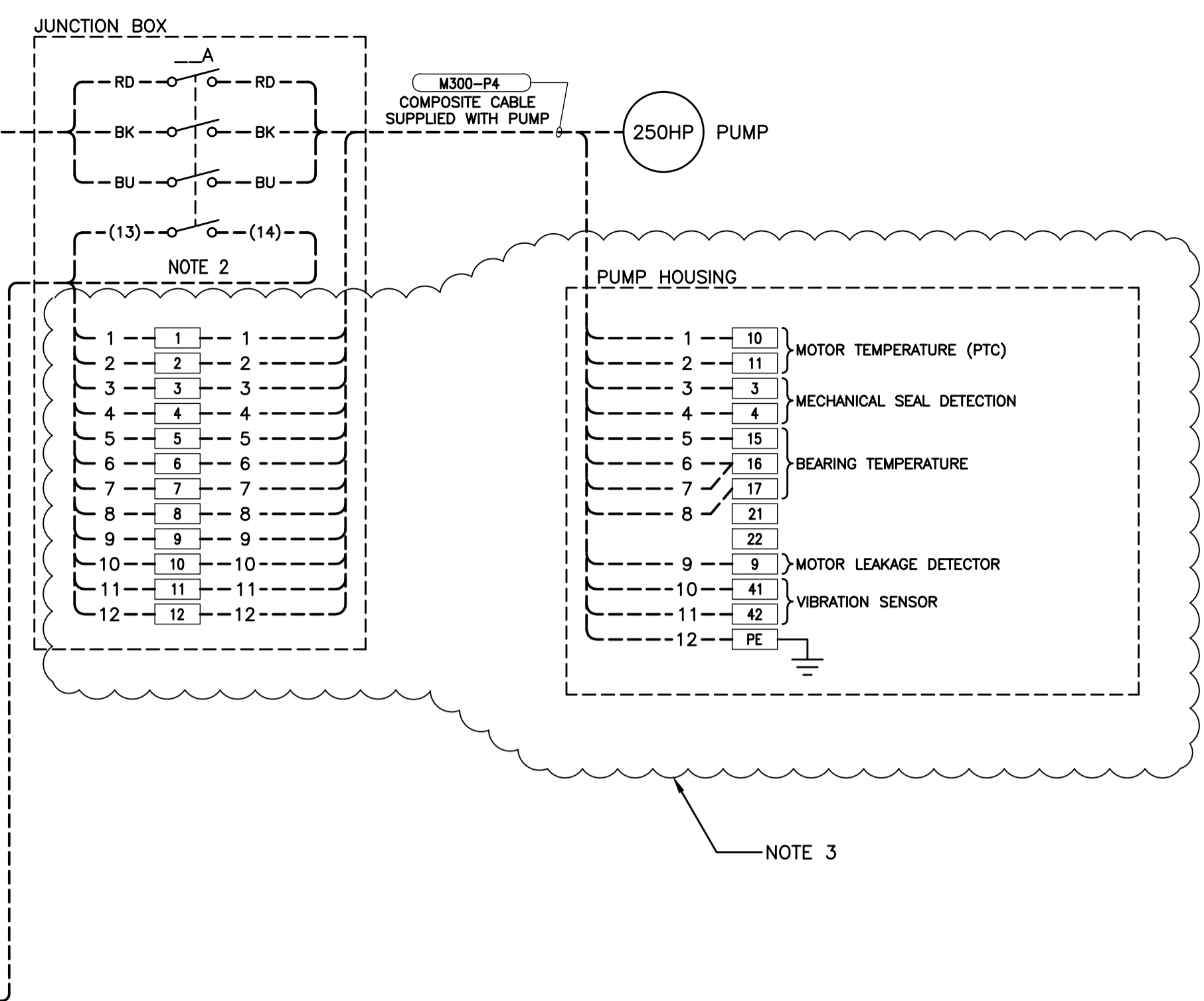
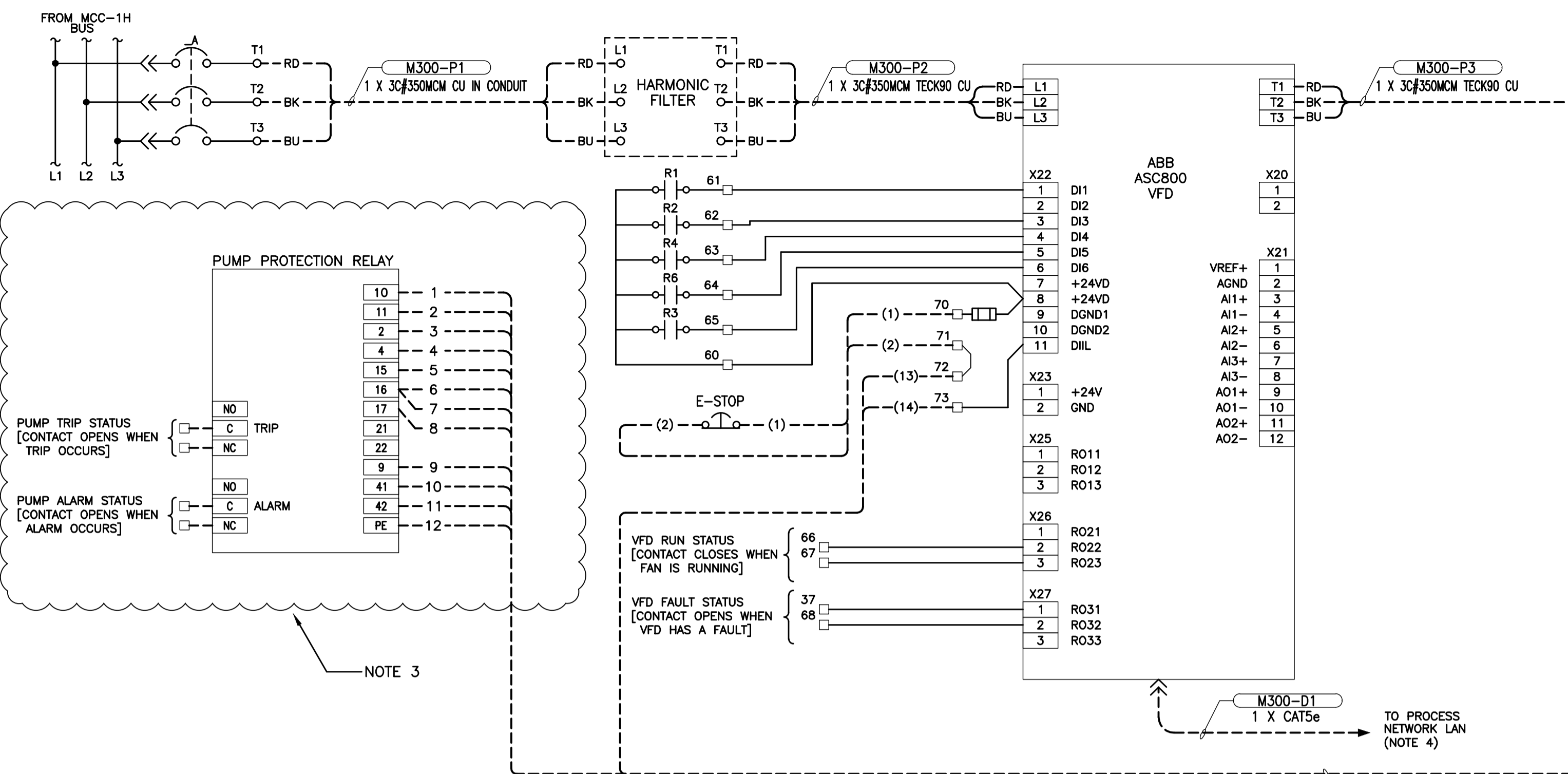
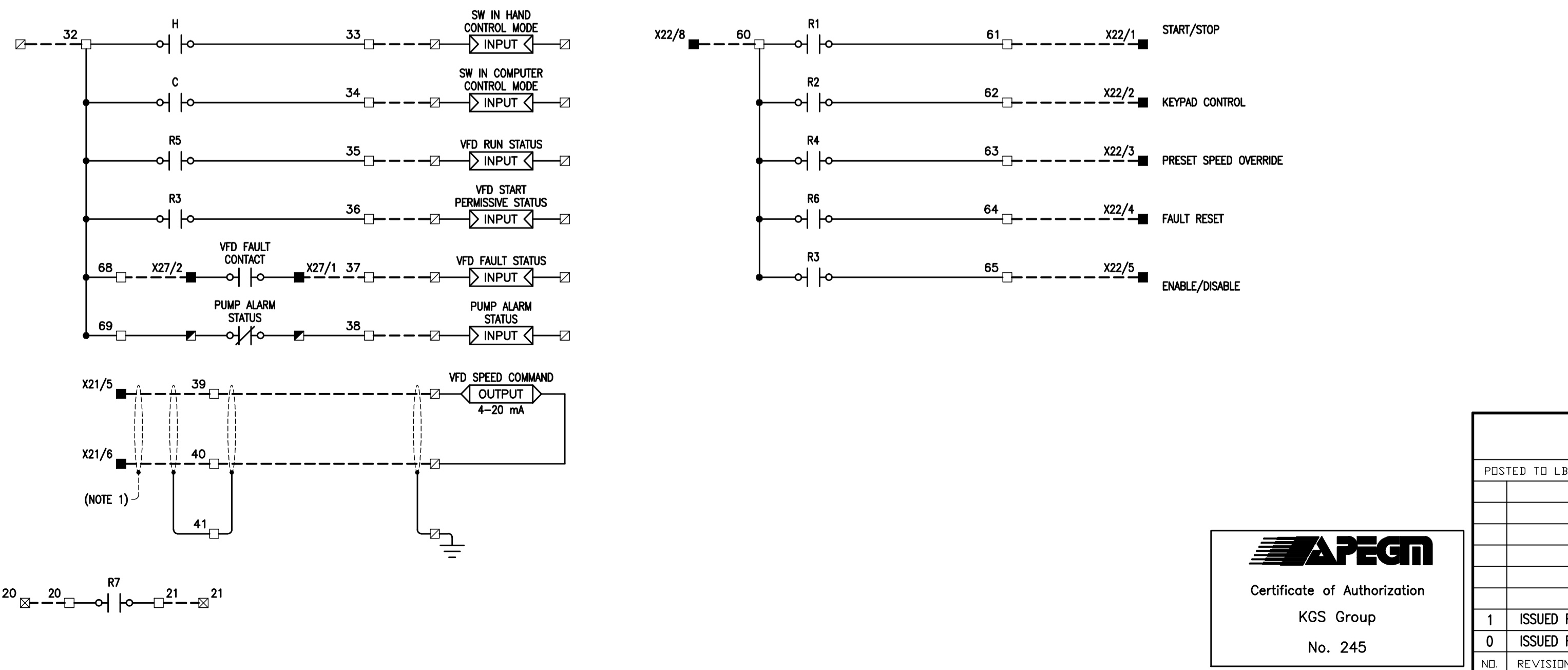
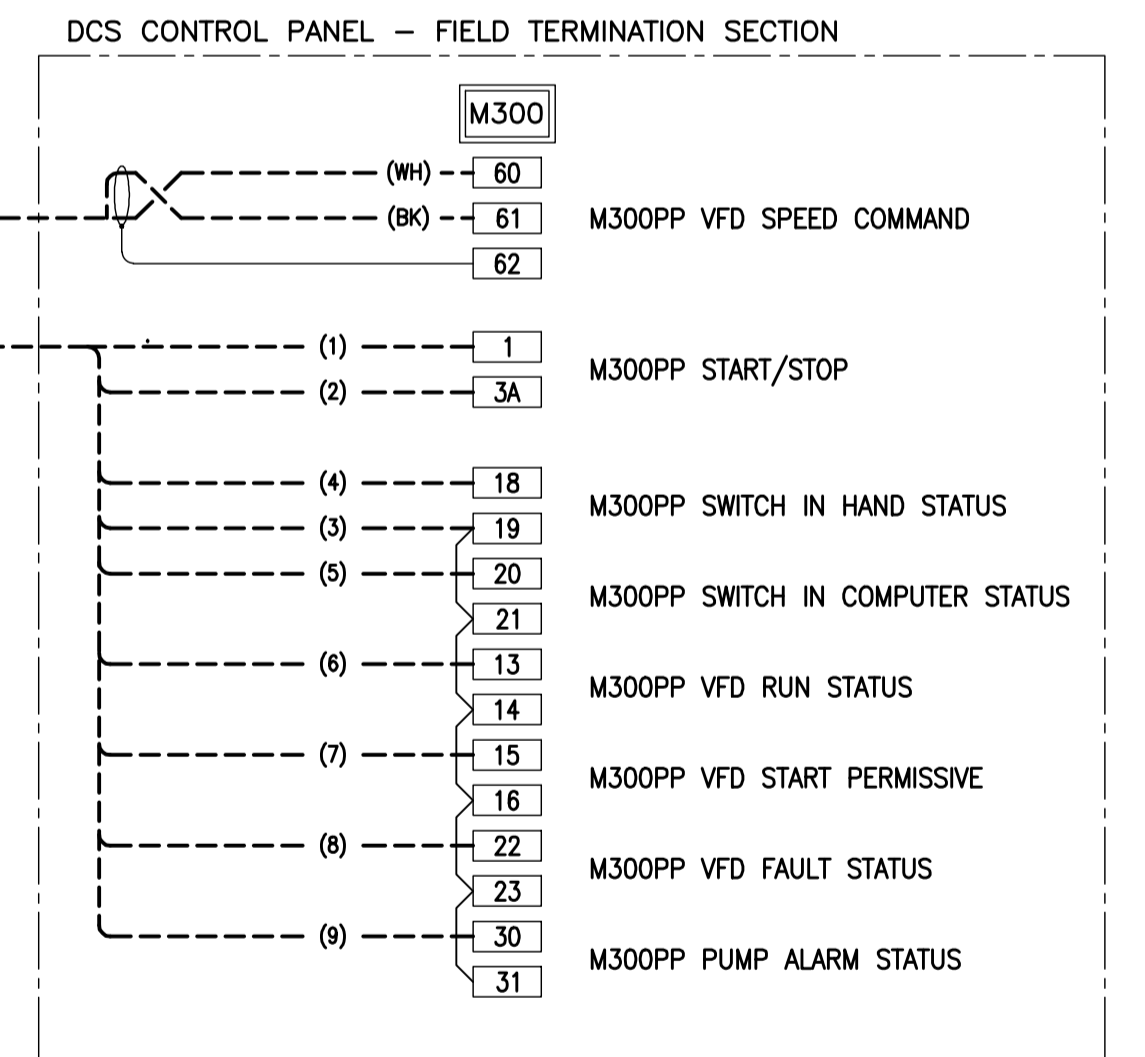
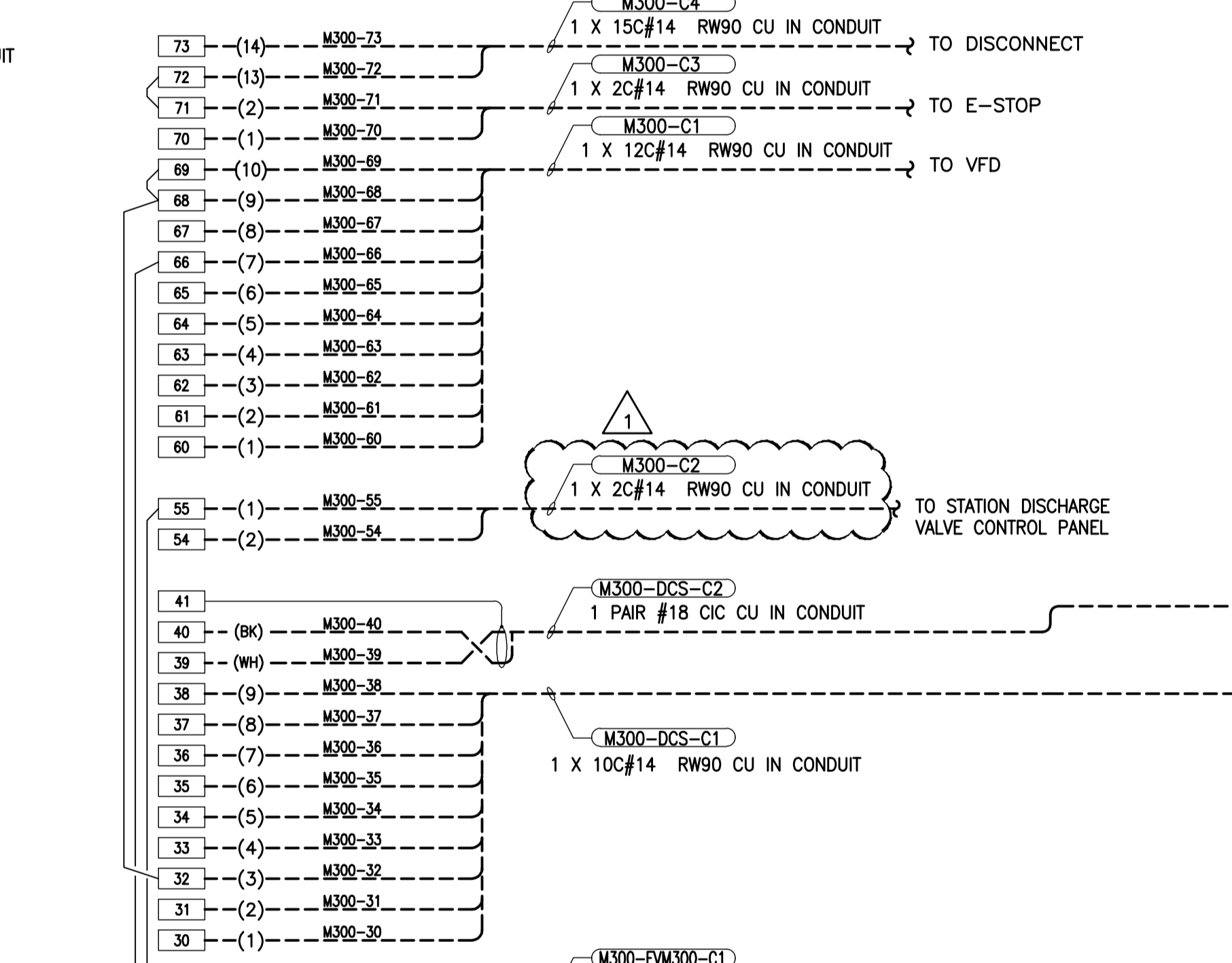
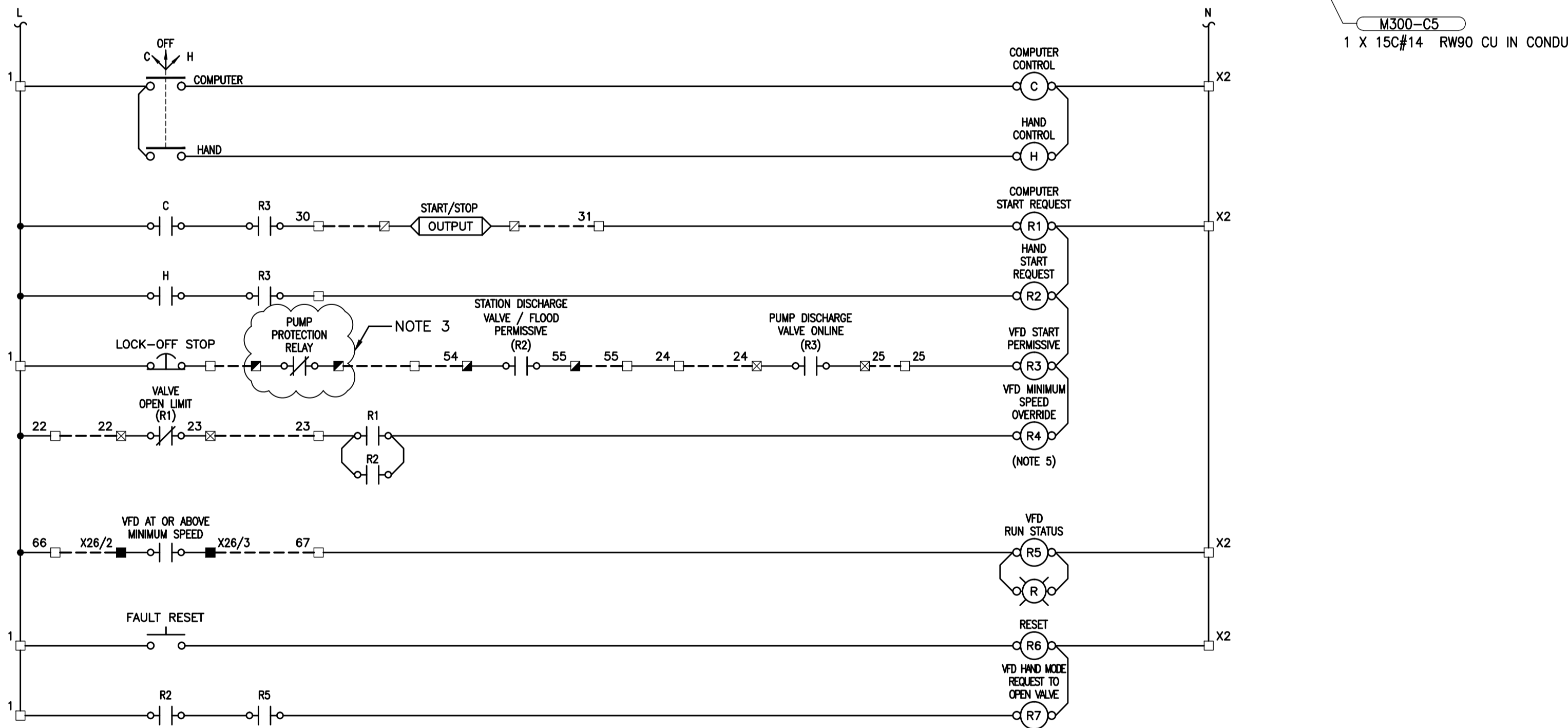


File Name: P:\Projects\2010\10-0107-23 Dwg\Elec\940-2011\_Addendum\_1\_Drawing\_E32 R1.dwg - Tab: E32 Plotted By: G Nelson 12/05/2011 [Mon 2:43pm]



- NOTES:**
- ISOLATE AND TAPE BACK SHIELD AT THIS END ONLY.
  - AUXILIARY CONTACT ON DISCONNECT SWITCH SHALL BREAK BEFORE DISCONNECT OPENS AND MAKE AFTER DISCONNECT CLOSURE.
  - HOLD PENDING FINAL DETAILS AFTER SUCCESSFUL PUMP SUPPLIER HAS BEEN DETERMINED AND SHOP DRAWINGS SUBMITTED FOR APPROVAL.
  - CABLE SHALL INCLUDE A 20 FOOT WHIP SO THAT THE CITY MAY TERMINATE CABLE WITHIN CONTROL ROOM. EXTEND CABLE TO THE SOUTHWEST CORNER OF THE CONTROL ROOM ON LEVEL 400.
  - VFD SHALL BE PROGRAMMED SUCH THAT WHEN "R4" IS CLOSED (VFD DI4 INPUT IS CLOSED) THE VFD SHALL OPERATE AT ITS PROGRAMMED MINIMUM SPEED ONLY. ANY SPEED REFERENCE FROM DCS OR MANUALLY ENTERED SPEED REFERENCE FROM INTEGRAL VFD INTERFACE SHALL BE LOCKED OUT UNTIL RELAY "R4" RELEASES CONTROL TO THE DCS OR LOCAL INTEGRAL INTERFACE.

- LEGEND**
- PUMP PROTECTION PANEL TERMINALS
  - VFD CONTROL ENCLOSURE TERMINALS
  - VFD TERMINALS
  - DCS TERMINALS
  - STATION DISCHARGE VALVE CONTROL PANEL TERMINALS
  - PUMP DISCHARGE VALVE TERMINALS
  - FIELD WIRING
  - PANEL WIRING
  - ( ) CONDUCTOR IDENTIFICATION
  - WIRE CONNECTION
  - PILOT LIGHT
  - ➔ OUTPUT PLC OUTPUT
  - ➔ INPUT PLC INPUT



**APEGM**  
Certificate of Authorization  
KGS Group  
No. 245

FIELD BOOK #:		<b>KGS GROUP</b> CONSULTING ENGINEERS		ENGINEER'S SEAL
POSTED TO LBIS	DESIGNED BY DDW	CHECKED BY JLL	THE ORIGINAL ISSUE REV. 0 WAS STAMPED, DATED AND SIGNED	BY J.L. LALONDE, P.ENG. ON 2011/11/07
	DRAWN BY GCN	APPROVED BY RED	RELEASED FOR CONSTRUCTION	
1 ISSUED FOR ADDENDUM #1	2011-12-05	JLL	HR. SCALE N.T.S.	E32
0 ISSUED FOR TENDER	2011-11-07	JLL	VERTICAL N.T.S.	
NO. REVISIONS	DATE	BY	DATE	2011 05 20

**THE CITY OF WINNIPEG**  
WATER AND WASTE DEPARTMENT

REPLACEMENT OF RAW SEWAGE PUMP P-3  
PERIMETER ROAD PUMPING STATION  
**ELECTRICAL**  
PUMP M300PP  
VFD SCHEMATIC & WIRING DIAGRAM

SHEET 1 OF 1  
CITY DRAWING NUMBER